

4

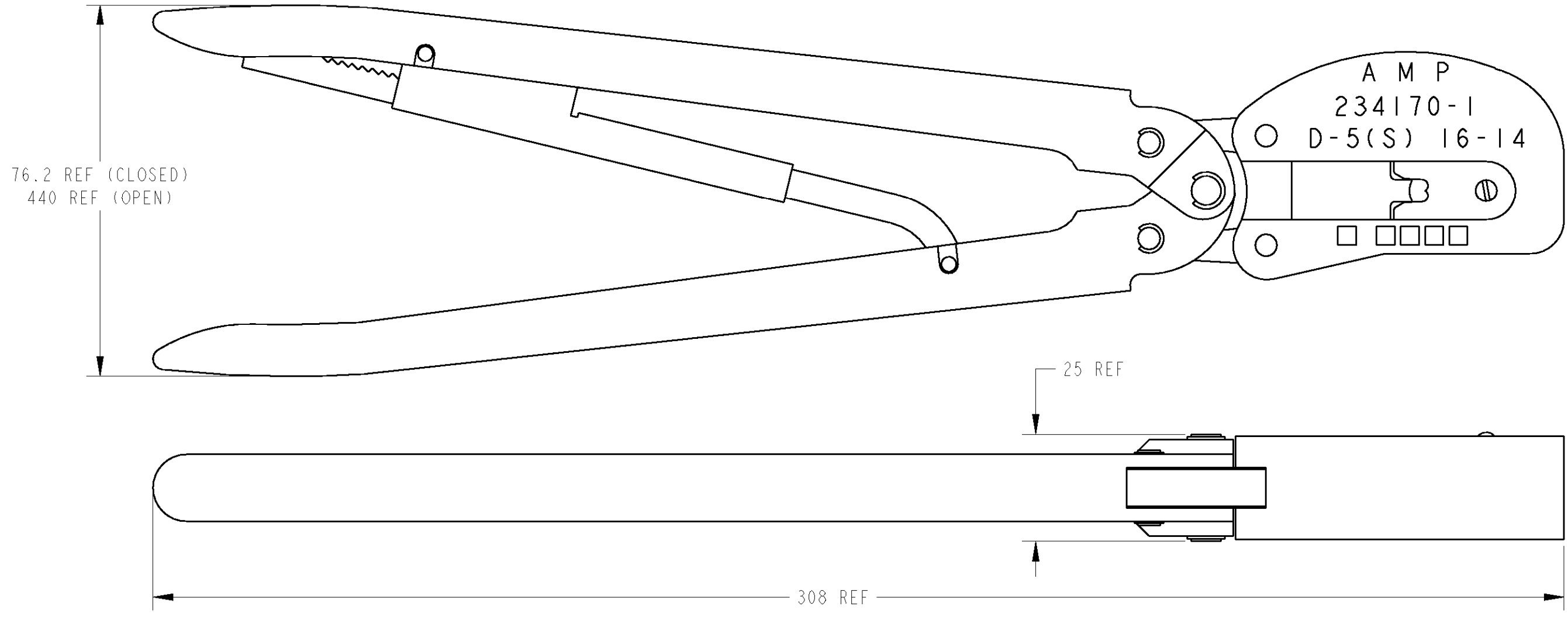
3

2

1

THIS DRAWING IS UNPUBLISHED. RELEASED FOR PUBLICATION 20
 © COPYRIGHT BY ALL RIGHTS RESERVED.

LOC	DIST	REVISIONS			
P	LTR	DESCRIPTION	DATE	DWN	APVD
J	-	B1 REVISED PER ECO-11-005294	03MAY11	RK	HMR



CRIMP SYMBOL	TERMINAL NO	WIRE SIZE AWG (mm ²)	INS RANGE (mm)	TERMINAL CH (mm)		IS NO	APPL SPEC	WEIGHT (g)
	L.P.			WIRE	INS			
圧着部記号	適用端子型番	電線サイズ	絶縁被覆径	圧着高さ		取扱説明書番号	取付適用規格	重量
	ハ"ラ状	®		® 芯線部	被覆部			
16-14	316040(REC) 917804(TAB)	#16(1.23-2.00) #14(2.00-2.27)	3.0-3.8	1.81-2.00 1.81-2.23	4.04REF	411-5712	114-5206	910

DIMENSIONS: mm 		TOLERANCES UNLESS OTHERWISE SPECIFIED: 0 PLC ± 1 PLC ± 2 PLC ± 3 PLC ± 4 PLC ± ANGLES ±		DWN J.KOGA 07-May-01 CHR J.KOGA 07-May-01 APVD S.YABE 07-May-01 PRODUCT SPEC - APPLICATION SPEC - WEIGHT -				NAME HEAVY HEAD HAND TOOL (Dynamic D5-S Contact)	
MATERIAL		FINISH		CUSTOMER DRAWING		SIZE A3	CAGE CODE 00779	DRAWING NO C=234170-1	RESTRICTED TO -
						SCALE -	SHEET	OF	REV B1